

Operating Instructions Melt Pressure Sensor

DA



Certified to
ISO 9001

Please read this instruction manual carefully before installing the transducer

Contents:

1. Introduction
2. Operating range and field of application
3. Danger areas
4. Waste disposal
5. Transport and storage
6. Cleaning of the sensors
7. Installing / Uninstalling
8. Connecting and commissioning
9. Technical Data
10. Dimensions

1. Introduction

Melt pressure transducers are precise measuring probes which obtain their measuring accuracy and long life span only if they are properly handled. These operating instructions should be studied carefully before installing the sensor, thus ensuring a trouble-free operation. Nevertheless, should you encounter any difficulties, please feel free to contact us or our representatives - we will be pleased to be of assistance.

These operating instructions are meant to give general information on all types of Gneuss pressure sensors (see points 1 to 8). As from point 9, specific information on the individual sensor type is given.

2. Operating range and field of application:

Gneuss melt pressure transducers have exclusively been designed for the pressure monitoring of liquid, doughy or pasty materials at high temperatures. These must have a homogeneous constitution. The application area has to be selected in such a manner, that a max. differential pressure of 2 % of the measuring range – based on the diaphragm surface - is not exceeded. Any use beyond the above mentioned application area does not conform to regulations.

3. Danger areas:

In the complete application area of the melt pressure transducer, there is a risk of combustion. If the pressure transducer is not installed or uninstalled correctly during the applying of pressure there is a risk of hot media emerging.

4. Waste disposal:

Pressure transducers filled with mercury, have to be disposed of as hazardous waste. A free of charge and ecologically-friendly disposal can be carried out by Gneuss Kunststofftechnik GmbH.

5. Transport and storage:

Gneuss pressure transducers are generally dispatched in separate packages. In case of mechanical exposure, the sensing diaphragm is protected by an aluminium cap. This cap should be screwed on at all times of storage.

6. Cleaning of the sensors

In order to clean the diaphragm, the sealing surface and the process thread, the sensor must have the same temperature as the plastic melting point. The diaphragm and the sealing surface can be wiped down with a soft cloth, the thread can be cleaned with a steel brush.

(Do not come into contact with the diaphragm surface)

7. Installing / Uninstalling

Installing

On installation of the pressure transducer it is imperative to note that the sensor bore corresponds to the dimensions mentioned below. The fitting accuracy can be checked by means of a test bolt. Prior to mounting the sensor, the thread should be covered with a heat resistant paste. Should the machinery with the sensor drilling still be at production temperature, a certain preheating period for the sensor should be taken into consideration, in order to avoid a seizing of the sensor due to thermal expansion.

On mounting the transducer, it is important to note that the sensor is not screwed in at an angle and that the sensor does not fall into the bore. It is of vital importance that the force for installing the sensor must only be applied at the shaft (hexagon). Do not apply any force to the sensor head!

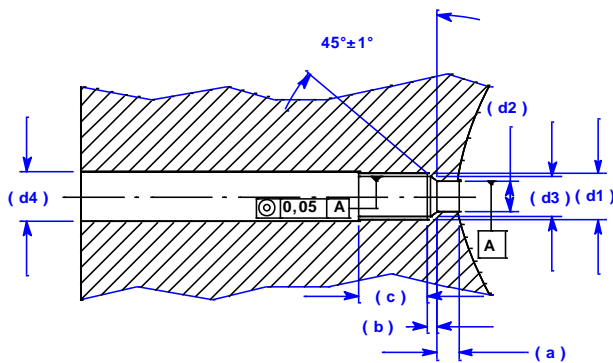
Starting torque for 1/2-20 UNF = max. 30 Nm

Starting torque for M 18 x 1,5 = max. 50 Nm

Uninstalling

The uninstalling of the pressure transducer has to be done in a heated up condition (plastic melting point)

On removal of the sensor, please take note that the diaphragm is not brought into contact. It is of vital importance that the force for uninstalling the sensor must only be applied at the shaft (hexagon). Do not apply any force to the sensor head!



d1	M18x1,5	1/2" 20UNF 2A
d2	Ø 10,1 ^{+0,05}	Ø 7,9 ^{+0,05}
d3	Ø 16,1 ^{+0,1}	Ø 10,7 ^{+0,1}
d4	Ø 20 ^{+0,2}	Ø 13 ^{+0,2}
a	6,1 ^{-0,1}	5,7 ^{-0,1}
b	4 ^{-0,2}	3,2 ^{-0,2}
c	25	19

8. Connections and commissioning

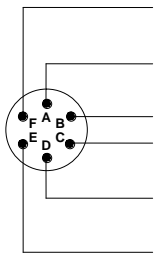
After the pressure transducer has been mounted into the line as is described in section 7, the electrical connection then has to be carried out according to the connections indicated on the next page. Gneuß pressure transducers are equipped with high-quality and robust plug connections. The connecting wire should be soldered with great care since otherwise, transmission errors of signals can be caused. We recommend to use Gneuß prefabricated connecting wires which are available from stock.

For commissioning, the sensor and the corresponding evaluation unit (e.g. Gneuß pressure measurement amplifier) have to be calibrated accordingly. **The calibrating process has to be carried out when the line is heated up and at zero pressure.** Please take the details concerning the way how to proceed from the respective operating instructions for the evaluation unit.

Electrical wiring

Plug type in sensor **PT 02A-10-6P**

Plug type socket **PT 06W-10-6S**



Calibration 80 %

Signal +

Signal -

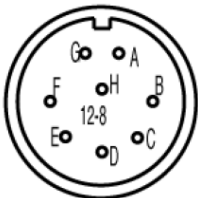
Supply +

Supply -

No function

Pin	Function	Colour scheme (Gneuß – cables)
A	Signal +	Yellow
B	Signal -	White
C	Supply +	Brown
D	Supply -	Green
E	No function	Pink
F	Calibration 80%	Grey

Plug type in sensor **8P PC06A-12-8P**

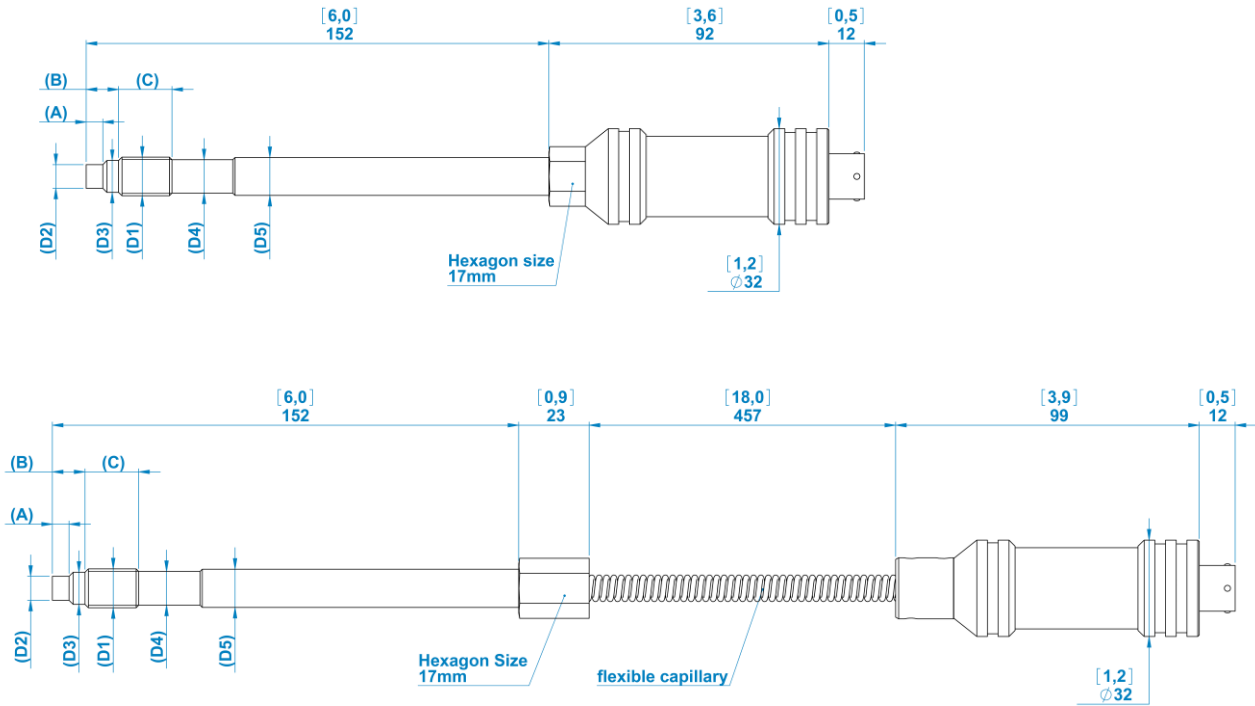


Pin	Function	Colour scheme (Gneuß – cables)
A	Supply +	Yellow
B	Signal +	White
C	Supply -	Brown
D	Signal -	Green
E	Calibration 80%	Pink
F	Calibration 80%	Grey
G	free	---
H	free	---

9. Technical Data:

Pressure range:	See order specification
Supply:	6...10V maximum current consumption 28,6 mA @ 10V
Output signal:	2mV/V or 3,3 mV/V (see order specification)
Bridge resistance:	350 Ω
Calibration point:	80 % of measuring range
Accuracy:	0,50 % FSO respectively $\leq \pm 0,25$ % FSO (see order specification)
Maximum over load:	150 % of measuring range
Zero deviation with temperature variations at the membrane:	0,003 % from final value/ $^{\circ}\text{C}$
Zero deviation with temperature variations at the measuring head:	0,003 % from final value/ $^{\circ}\text{C}$
Maximum temperature at the membrane:	300 $^{\circ}\text{C}$ with NTX-filling (W) 400 $^{\circ}\text{C}$ with Hg-filling (M) 500 $^{\circ}\text{C}$ with NaK-filling (N)
Maximum. temperature at the measuring head:	125 $^{\circ}\text{C}$
EMC:	Electromagnetic disturbances and electromagnetic susceptibility according to EN 61326
Degree of protection:	IP 55

10. Dimensions



For available variations see order specification

Order specification DA series Pressure Transducer with mV/V output

Order specification	DA																		
Standard configuration	DA																		
Total measurement error FSO																			
0,25%	*1	1																	
0,50%		2																	
Output signal																			
2,0 mV/V		0 0																	
2,5 mV/V		0 5																	
3,3 mV/V		5 0																	
Thread connection																			
1/2" UNF 2A			1 2 A																
M18 x 1,5 A			1 8 A																
M18 x 1,5 B			1 8 B																
Pressure range [bar]																			
50										B 5 0 E									
100										B 1 0 Z									
200										B 2 0 Z									
350										B 3 5 Z									
400										B 4 0 Z									
500										B 5 0 Z									
600										B 6 0 Z									
700										B 7 0 Z									
800										B 8 0 Z									
1000										B 1 0 H									
1400										B 1 4 H									
2000										B 2 0 H									
Shaft length (rigid)																			
152 mm, 6" (Standard)																	S 0		
203 mm, 8,0"																	S 1		
254 mm, 10,0"																	S 2		
318 mm, 12,5"																	S 3		
356 mm, 14,0"																	S 4		
457 mm, 18,0"																	S 5		
38 mm, 1,5" *4																	S 6		
50 mm, 2,0" *4																	S 7		
76 mm, 3,0"																	S 8		
Special shaft length																	S 9		
Length of flexible capillary																			
No flexible capillary																	F 0		
457 mm, 18" (standard)																	F 5		
610 mm, 24"																	F 6		
760 mm, 30"																	F 8		
Special length																	F 9		
Diaphragm																			
Stainless steel	*2																R		
Alloy C4	*2																H		
Alloy 718	*2																I		
Stainless steel/GX-Coating																	B		
Alloy C4/GX-Coating																	C		
Alloy 718/GX-Coating																	D		
Special diaphragm																	S		
Sensor medium																			
Mercury-free																		W	
Mercury-free high temperature	*5																	N	
Mercury																		M	
Electrical connection																			
6-pole connection (standard)																			6 P
8-pole connection																			8 P
Cable exit stainless steel, 3m	*3																		3 3
Special design																			
No special design																			0 0 0
Special design																			x x x

- *1 Only available ≥ 100 bar
- *2 As a standard, all diaphragms are coated with Gneuss unique "G-coating" against adhesive and glutinous media. Special coatings are available on request.
- *3 For cable exit, please confirm cable length. Unless specified, the standard length will be 3 m.
- *4 Only available with flexible capillary
- *5 Mercury-free High Temperature ≥ 300° (only available for D-100 bar up to D-800bar)

Copyright:

Gneuss Kunststofftechnik GmbH retains the copyright to these instructions for use.

ISO 16016 protection notice:

Forwarding and duplication of this document, including re-utilisation or disclosure of its contents, is not permitted unless expressly permitted. Contravention of this requirement shall result in liability to pay damages. All rights reserved in the event that a patent, design patent or utility model is registered.

Gneuss Kunststofftechnik GmbH
Moenichhusen 42
32549 Bad Oeynhausen, Germany
Phone: +49 (0) 5731 5307-0
Fax: +49 (0) 5731 5307-77
Mail: gneuss@gneuss.com
www.gneuss.de